



BEIJING SANYOU
INTELLECTUAL PROPERTY
AGENCY LTD.
16th Fl., Block A, Corporate
Square, No.35 Jinrong Street
100033 Beijing
CHINA

June 17, 2024

Our ref.: 970241626
WIPO or Office Reference: WIPO148891
Your ref.: GAD24CN01273H

International Registration No. DM/237872

Madam,
Sir,

In accordance with Rule 15(1) of the Common Regulations under the Hague Agreement, please find herewith the certificate for the above-mentioned international registration. This certificate is issued only in the language in which the international application was filed.

This international registration will be published in the International Designs Bulletin No. 26/2024.

**International Bureau of the
World Intellectual
Property Organization**



INTERNATIONAL REGISTRATION CERTIFICATE

The international Bureau of the World Intellectual Property Organization (WIPO) hereby certifies that the particulars given below correspond to the recording made in the International Register of Industrial Designs, at the date of the international registration, under the Hague Agreement Concerning the International Registration of Industrial Designs.

<i>Registration number</i>	DM/237872
<i>Date of the international registration</i>	30 May 2024
<i>Filing date</i>	30 May 2024
<i>Name and address of holder</i>	Zhangjiagang City Xiangle Tool Co., Ltd No. 18, Zhenxing Road, Yangshe Town 215600 Suzhou Jiangsu (China)
<i>Entitlement (Nationality)</i>	China
<i>Applicant's Contracting Party</i>	China
<i>Name and address of the representative</i>	BEIJING SANYOU INTELLECTUAL PROPERTY AGENCY LTD. 16th Fl., Block A, Corporate Square, No.35 Jinrong Street 100033 Beijing (China)
<i>Name and address of creator of designs</i>	Zhilong CHEN, No. 18, Zhenxing Road, Yangshe Town, 215600, Suzhou, Jiangsu, China
<i>Number of designs included in the international registration</i>	1
<i>Locarno Classification</i>	Cl. 08-05
<i>Indication of products</i>	Retractable ratchet tie-down
<i>Description</i>	Purpose of the design product: this product is used in conjunction with a tensioner bundling strap to secure and transport goods, and the bundling strap is tightened and loosened by a ratchet system.
<i>Claim</i>	US : The ornamental design for a retractable ratchet tie-down as shown and described
<i>Contracting Parties</i>	European Union, United States of America



INTERNATIONAL REGISTRATION CERTIFICATE (continued) **DM/237872**

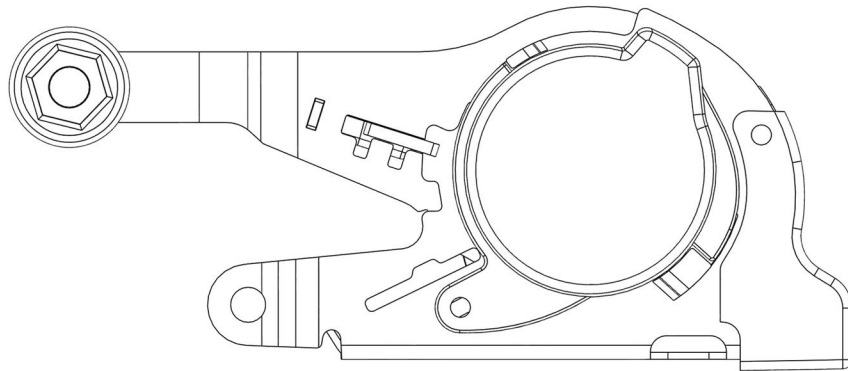
*designated under the 1999
Act*

*Data relating to priority under
the Paris Convention* 18 April 2024, 2024302184409, China, DAS:8AA4

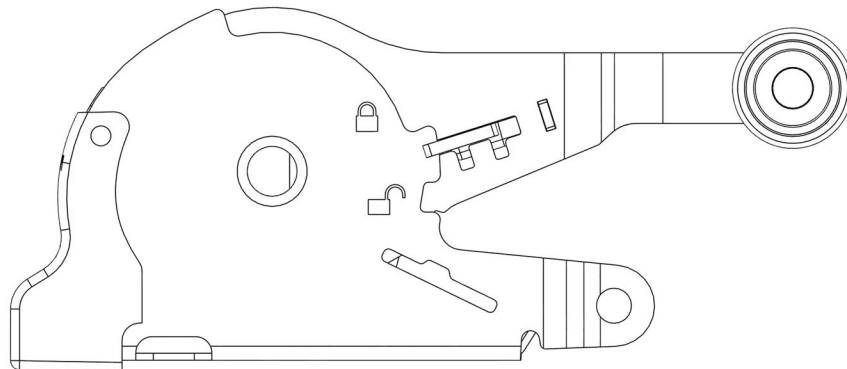


INTERNATIONAL REGISTRATION CERTIFICATE (continued) **DM/237872**

1.1
Front

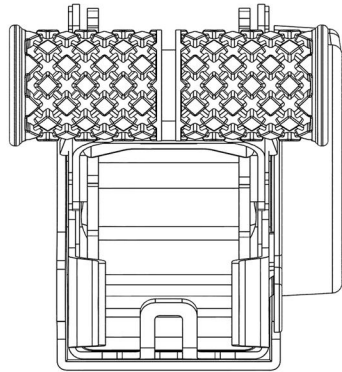


1.2
Back

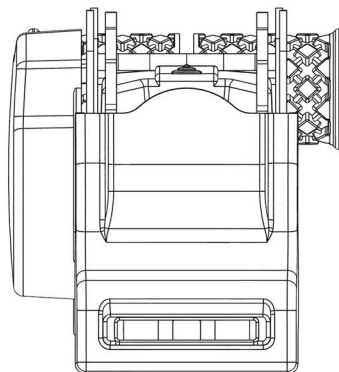




1.3
Left



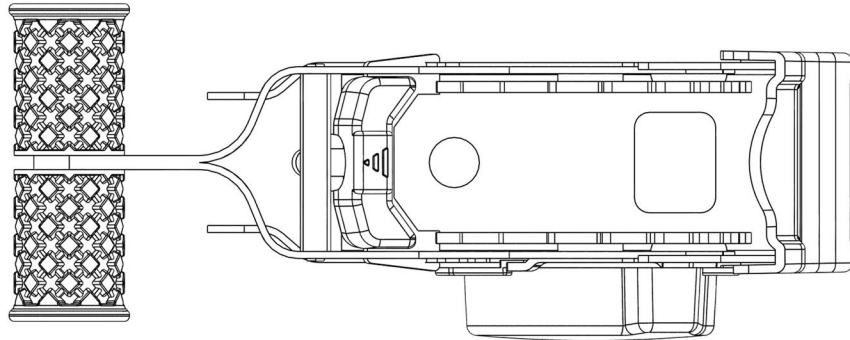
1.4
Right



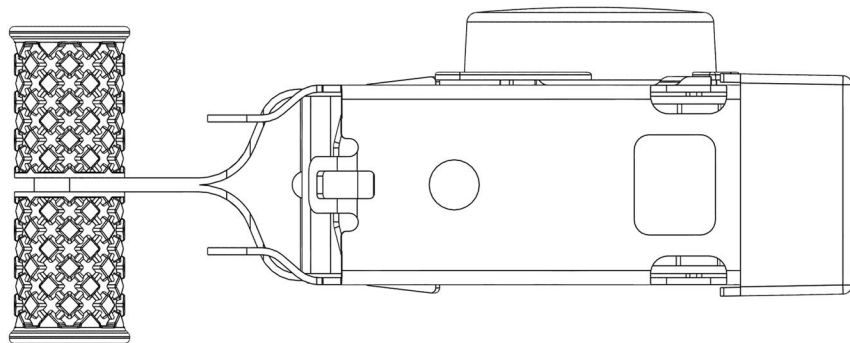


INTERNATIONAL REGISTRATION CERTIFICATE (continued) **DM/237872**

1.5
Top

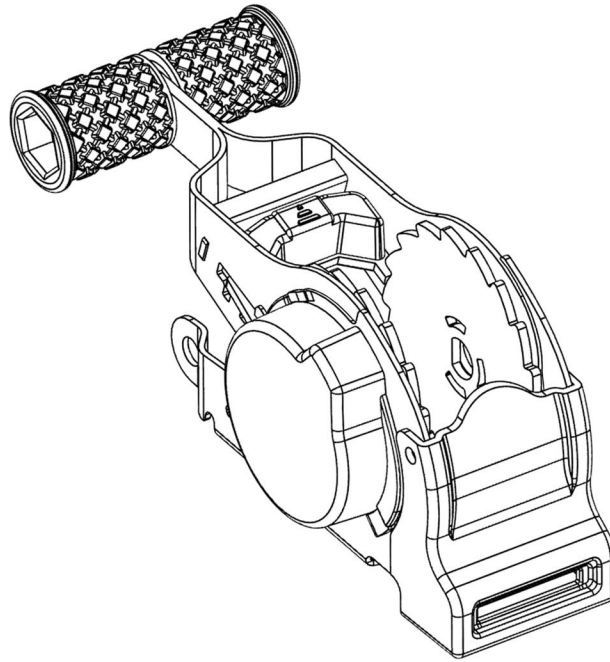


1.6
Bottom





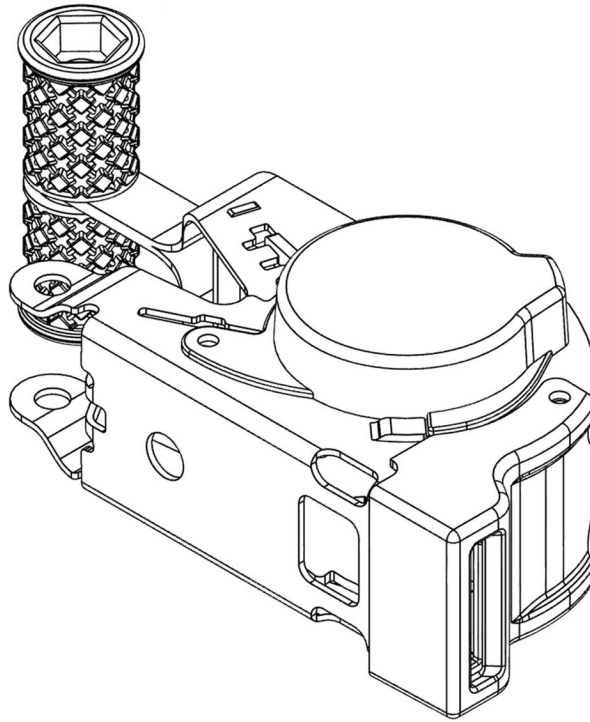
1.7
Perspective





INTERNATIONAL REGISTRATION CERTIFICATE (continued) **DM/237872**

1.8
Perspective



Quan-Ling SIM

Quan-Ling SIM
Head, Operations Service
The Hague Registry
Brands and Designs Sector

June 17, 2024

